

Granular Diverter Valve

GDV

Applications

- Suitable for granules and pellets
- For distributing or merging of product flow in conveying lines
- For system pressure up to 60 psig (4.0 barg)

Design

- Sizes from 3" to 12" (80 mm to 300 mm)
- Flange patterns: ANSI 150# or DIN PN10 or JIS 5k/10k
- Operating temperature up to 175 °F (80 °C)
- 45° divert angles, 30° also available (see GDV 30)
- Housing and rotor available in stainless steel or aluminum

Features

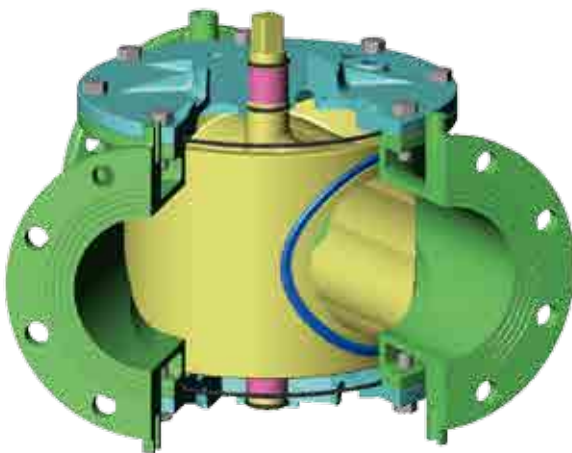
- Seal rings at each port
- Smooth pass-through design
- Heavy duty body design for pressure surges up to 90 psig (6.0 barg)
- Manual or pneumatic operation
- Heavy duty pneumatic actuator
- Mechanical stops integrated into housing assembly
- Position switches

Options

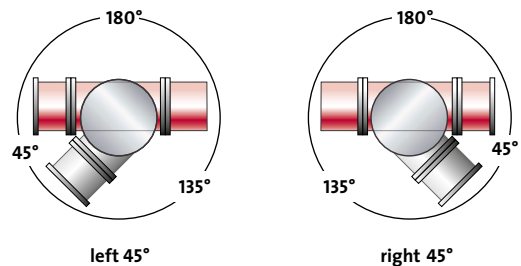
- High temperature design up to 350 °F (180 °C)
- Interior polish
- Hazardous location protection rating



Pelletron GDV Diverter Valve with Stainless Housing



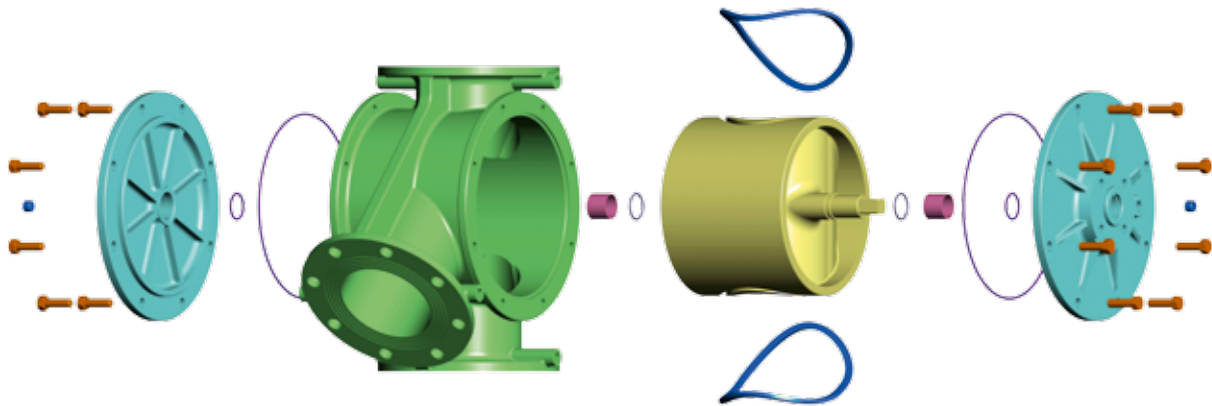
3D cutaway model with sealing details



Left or right orientation available

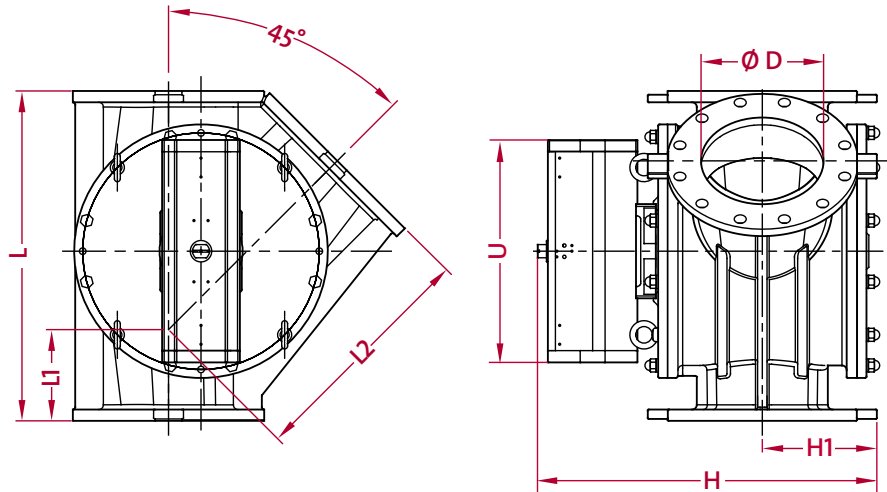


GDV – Design Details



Specifications

All measurements and weights are approximate.



Model Size	Dim Ø D Inch (mm)	Weight lbs (kg)	H Inch (mm)	H1 Inch (mm)	U Inch (mm)	L Inch (mm)	L1 Inch (mm)	L2 Inch (mm) (nominal)
GDV 080	3 (85)	132 (60)	16.9 (437)	5.3 (133)	11.9 (302)	15.4 (390)	4.1 (104)	11.3 (287)
GDV 100	4 (110)	139 (63)	17.7 (449)	5.5 (140)	11.9 (302)	15.4 (390)	4.1 (104)	11.3 (287)
GDV 125	5 (134)	170 (77)	20.4 (517)	5.8 (147)	14.8 (375)	16.9 (430)	4.6 (116)	12.4 (314)
GDV 150	6 (159)	222 (101)	21.4 (545)	6.4 (163)	14.8 (375)	19.7 (500)	5.7 (145)	13.0 (355)
GDV 200	8 (210)	321 (146)	24.0 (610)	7.9 (202)	14.8 (375)	23.6 (600)	6.6 (170)	16.9 (430)
GDV 250	10 (260)	502 (228)	28.4 (720)	9.6 (243)	18.6 (472)	27.6 (700)	7.6 (194)	19.9 (506)
GDV 300	12 (310)	737 (335)	30.9 (786)	11.1 (282)	18.6 (472)	31.5 (800)	8.1 (205)	23.4 (595)

